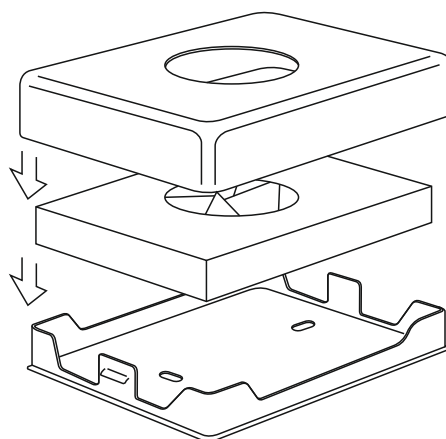
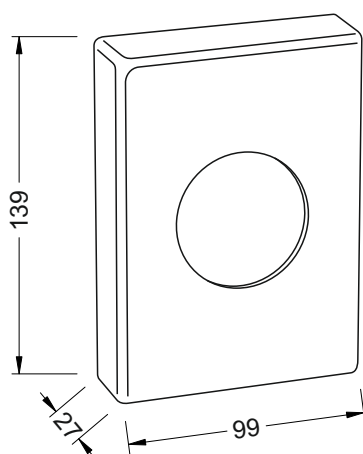


Product data sheet**Sanitary bag dispenser****Model:****23.012** / chrome**23.012-B** / matt black**23.012-G** / gold gloss**23.012-W** / white gloss**DESCRIPTION:**

- material: ABS plastic, surface chrome/ matt black/ gold gloss/ white gloss
- closed with a latch
- can be mounted in a countertop or wall-mounted version
- double-sided adhesive tape for attaching to the wall included
- adapted to cartridges with hygienic bags - code: 50.001

Dimensions [mm]**Care**

Clean with a damp cloth and soap, then wipe dry.

It is not allowed to use rough sponges, abrasive preparations and chemicals containing aggressive substances like ammonia, bleach, acids, solvents.